

Features

- 100°C baseplate operation
- 48, 352 and 384 V Bus Converters
- High density – up to 390 w/in³
- Small footprint – 1.64 and 2.08 in²
- Height above board – 0.37 in (9.5 mm)
- Efficiency up to 96%
- Isolated output
- No output filtering required
- <1 μs transient response
- Fast transient response
- Lead free wave solder compatible
- Agency approvals



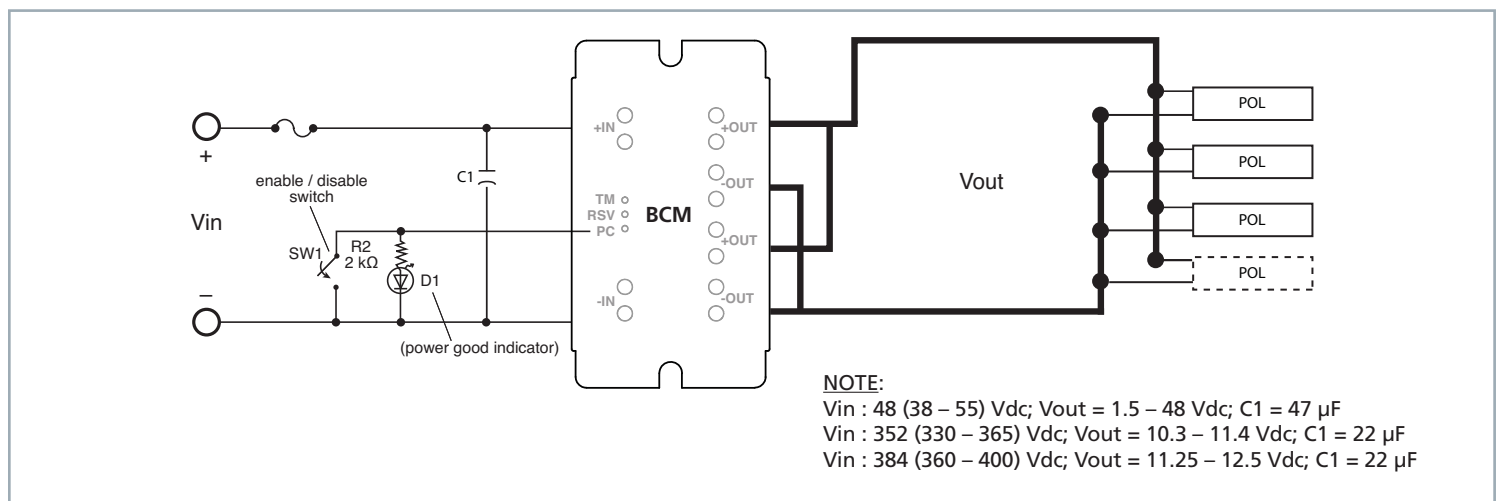
Product Description

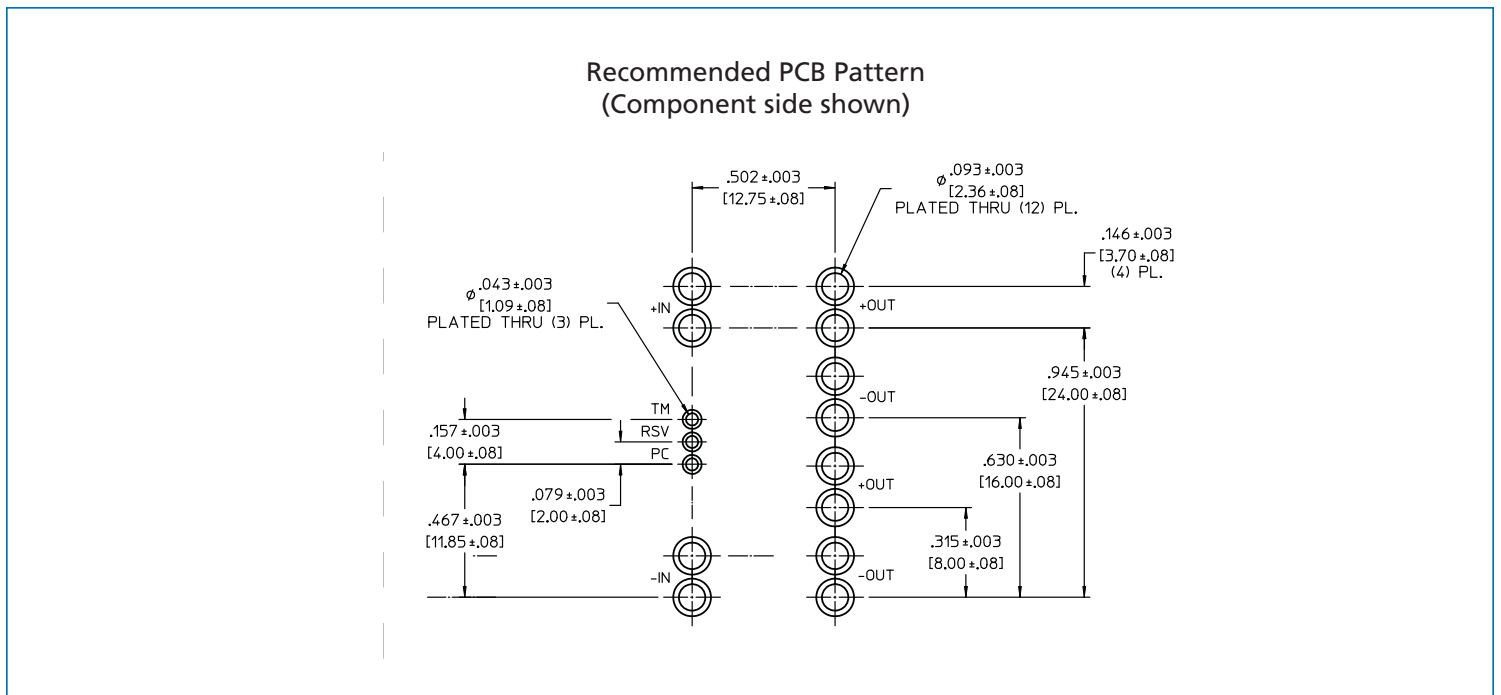
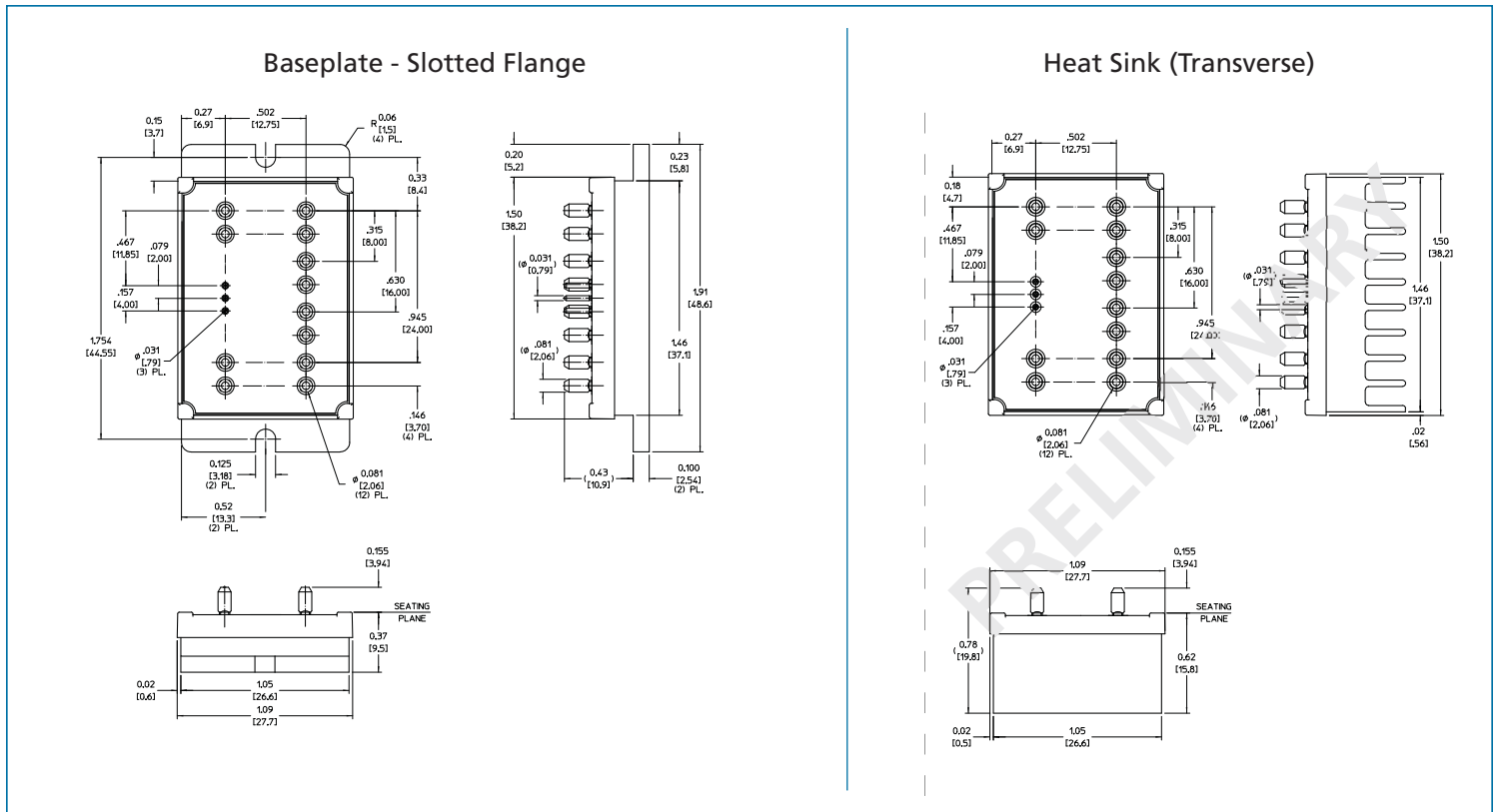
VI BRICK BCM modules use advanced Sine Amplitude Converter™ (SAC™) technology, thermally enhanced packaging technologies, and advanced manufacturing processes to provide high power density and efficiency, superior transient response, and improved thermal management. These modules can be used to provide an isolated intermediate bus to power non-isolated POL converters and due to the fast response time and low noise of the BCM, capacitance can be reduced or eliminated near the load.

Model Number	Input Voltage (V)	Output Voltage (V)	Output Power (W)	Output Current (A)	Efficiency (%)		Output Ripple (mV)	
					50% Load	100% Load	50% Load	100% Load
BC048A015T014FP	38 – 55	1.19 – 1.71	135	90	91.5	91.1	70	110
BC048A030T021FP	38 – 55	2.38 – 3.43	210	70	95.0	94.2	50	65
BC048A040T020FP	38 – 55	3.17 – 4.58	200	50	94.8	94.4	170	220
BC048A060T024FP	38 – 55	4.75 – 6.87	240	40	95.6	94.6	98	170
BC048A080T024FP	38 – 55	6.33 – 9.16	240	30	96.0	95.8	70	140
BC048A096T024FP	38 – 55	7.60 – 11.0	240	25	96.2	96.2	110	180
BC048A120T030FP	38 – 55	9.50 – 13.8	300	25	95.1	95.6	100	150
BC048A160T024FP	38 – 55	12.7 – 18.3	240	15	96.0	95.7	107	150
BC048A240T030FP	38 – 53	19.0 – 26.5	300	12	95.7	95.9	85	150
BC048A320T030FP	38 – 55	25.3 – 36.7	300	9	96.5	96.2	115	180
BC048A480T030FP	38 – 55	38.0 – 55.0	300	6	96.7	96.4	95	190
BC352A110T024FP	330 – 365	10.3 – 11.4	240	21.8	95.6	95.8	140	240
BC352A110T030FP	330 – 365	10.3 – 11.4	300	27.2	95.8	95.2	110	200
BC384A120T030FP	360 – 400	11.25 – 12.5	300	25	95.2	95.3	100	195

Note: See individual data sheets for additional model specifications and configurations.

Typical Application





The products described on this document are protected by the following U.S. Patents Numbers: 5,945,130; 6,403,009; 6,710,257; 6,911,848; 6,930,893; 6,934,166; 6,940,013; 6,969,909; 7,038,917; 7,166,898; 7,187,263; D496,906; D505,114; D506,438; D509,472